

TO BE KEPT WITH BOAT DOCUMENTS
BEI DEN SCHIFFSPAPIEREN AUFBEWAHREN
A CONSERVER AVEC LES DOCUMENTS DU BATEAU
PA ADJUNTAR A LA DOCUMENTACION DE LA EMBARCACION
BÖR FÖRVARAS I BÅTEN



Ocean Hydraulic Winch Models 44 - 111

Issue 4

LEWMAR®

CONTENTS

CONTENTS	Page
Introduction	
Important Information	3
Ocean Hydraulic Winches - General	3/4
Installation	
Mechanical	4/5
Hydraulic	4/6
Trouble Shooting	7
Specifications	
Performance Graphs	8/9/10
Weights	10
Rope Diameters	10
Maximum Load Values	10
Dimensions	11
Parts List	
Models 44 - 64	12
Models 66 - 111	13
Lewmar Limited Warranty	15

IMPORTANT - READ THIS BEFORE INSTALLING AND OPERATING YOUR WINCH

Dear Customer,

Thank you for having chosen Lewmar Hydraulic Ocean Winches. Lewmar products are world renowned for their quality, technical innovation and proven performance. With a Lewmar winch you will be provided with many years of outstanding service. We wish you happy sailing.



Warning!

Please ensure that you thoroughly understand the operation and safety requirements of the winch before commencing the installation. Only persons who are completely familiar with the controls and those who have been fully made aware of the correct use of the winch should be allowed to use it. If there is any doubt of how to install or operate this unit please seek advice from a suitably qualified engineer.



Warning!

Winches used incorrectly could cause harm to equipment or crew. Winches should be used with care and treated with respect.

INTRODUCTION

Lewmar Ocean Hydraulic Winches

The Lewmar Ocean Hydraulic Winch range has been designed primarily for use with Lewmar Commander Hydraulic Power Systems. However, other hydraulic power systems offering the correct flow/pressure rate may be compatible. You are referred to the Specification Section of this Manual which sets out hydraulic power requirements for each winch model.

Ocean Winch Models 44 - 64 operate as single speed winches when powered and conventional two-speed winches when handle driven. Models 66 - 111 are two or three speed winches in both powered and manual operation. They employ a spring loaded sliding clutch dog which is disengaged by a push rod assembly when a Lewmar Lock-in handle is used.

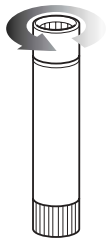
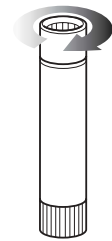
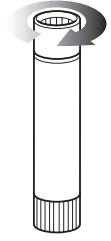
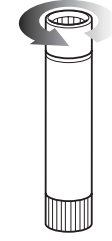
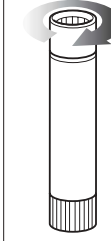
All winches are operated by an air or electric deck mounted hydraulic control button. If used in conjunction with an autoshift Hydraulic Power System, winch speed is adjusted automatically by the Control Unit which houses a load sensing microprocessor to optimise sheeting performance. However, when used with non autoshift hydraulic systems, which are not load sensing, an additional hydraulic control button will be required for powered gear changing in Models 66 - 111, as described below:

Two speed hydraulic winch operation

1. To engage first gear:
Press the first gear deck switch, first gear is engaged when the winch central spindle rotates counter-clockwise.
2. To engage second gear:
Press the second gear deck switch, second gear is engaged when the winch central spindle rotates clockwise.

Three speed hydraulic winch operation

1. To engage first gear
Press first gear button on winch. Press the first gear deck switch, first gear is engaged when the winch central spindle rotates clockwise.
2. To engage second gear:
Press the second gear deck switch, second gear is engaged when the winch central spindle rotates counter-clockwise.
3. To engage third gear:
Press the first gear deck switch again, the central spindle rotates clockwise and third gear is engaged.
All winches feature Lewmar's Wavespring™ self tailing jaws and can be operated manually using a Lewmar lock-in winch handle. All Lewmar Ocean Hydraulic Winches employ an override ratchet gearing for safety when winching manually.

Winch	1 Gear	2 Gear	3 Gear
2 Speed 66 - 111			
3 Speed 66 - 111			

Wavespring™ self tailing

In order for the self tailer to function effectively, winches must be mounted so as the loose sheet falls correctly into a secure stowage position. The position of the stripper and feeder arm can be adjusted to give best results. When sheeting in, the load sheet must have minimum of three turns on the winch drum before being passed across the feeder arm into the Wavespring™ self tailing jaws. Paying out is accomplished in the conventional manner.

Winch jaws are designed to accept a range of rope diameters and must only be used with ropes of the recommended size, see Specification Section, rope diameters on page 10.

INTRODUCTION

Maintenance and Servicing

To ensure the safe and correct operation of Lewmar Ocean Hydraulic winches, preventative maintenance and servicing should be carried out on a regular basis, periodically during the active season and at the start and finish of every season. The winch should be disassembled, inspected for damage, cleaned, relubricated and reassembled.

The condition of the hydraulic drive unit and hydraulic hose connections should be inspected regularly for condition, security and leakage. See Installation Trouble Shooting on page 7. The hydraulic drive unit is supplied as a sealed unit and should not be dismantled. Clean and treat the drive component assembly with WD40, Finnegans Waxol or equivalent.

Important

Before the commencement of any installation, the contents of this Manual should be read thoroughly and understood.

The purpose of this publication is to provide the reader with sufficient information to install and operate any Lewmar Ocean Hydraulic Winch. It assumes that the reader will be familiar with sailing craft, marine hydraulics and mechanical installation and safety requirements. If in any doubt, this equipment should be installed by a suitably qualified engineer. Whilst every effort has been made to ensure the accuracy of this publication, Lewmar Marine Limited, their agents, distributors and publishers cannot be held responsible for any inaccuracies or omissions in this publication or for any injuries to any person, however caused, whilst engaged in any activity involving Lewmar products.

ATTENTION!

Winches should be used with care and treated with respect. Read the entire operators manual before you use the winch, and restrict the use of the winch to persons who have read, understood and will follow all warnings and instructions contained in the manual and this notice.

Lewmar winches used incorrectly could cause harm to equipment or crew. Lewmar winches are designed to pull high loads, and powered winches (such as Electric or Hydraulic) will only cut out automatically after reaching their maximum Safe Working Load.

Use of Lewmar winch equipment for purposes other than that for which it is specifically designed, may lead to damage of the winch or other attached equipment. Other than in respect of death or personal injury arising from its negligence or that of its employees agents or subcontractors, Lewmar accepts no liability of any kind for any loss or damage, howsoever caused, when the winches are improperly used, or attached to other equipment which fails.

Lewmar accepts no liability for any loss or damage howsoever caused and all warranty given by Lewmar in respect of the Lewmar winch equipment concerned will become void and cease to have effect if replacement parts or attachments are fitted that are not manufactured or approved by Lewmar, or if the winch is modified in any way, or if any adjustments are made to the winch and associated control equipment (such as electric control boxes, hydraulic valve settings) by a non authorised Lewmar representative.

INSTALLATION

General

Lewmar Ocean Hydraulic Winches have been designed for ease of installation and follow a straightforward hydraulic and mechanical installation procedure. The winch model appropriate to your requirements may be selected using the Specifications and Power/Performance Sections of this Manual.

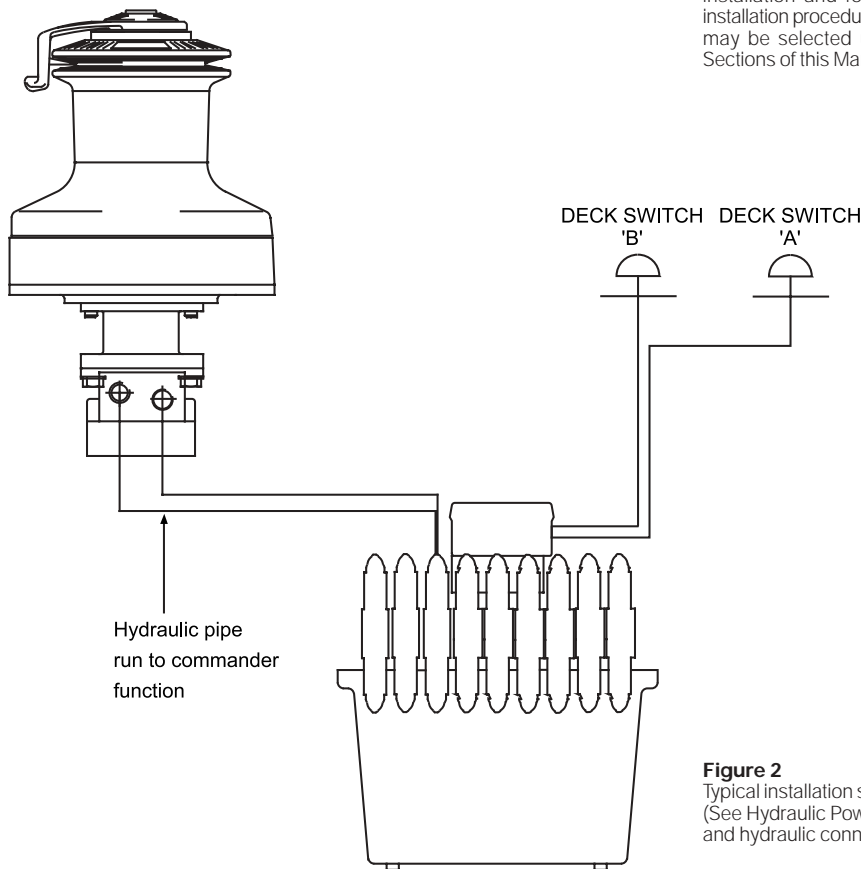


Figure 2

Typical installation schematic Lewmar Ocean Hydraulic Winches. (See Hydraulic Power System Installation Instructions for precise wiring and hydraulic connections).

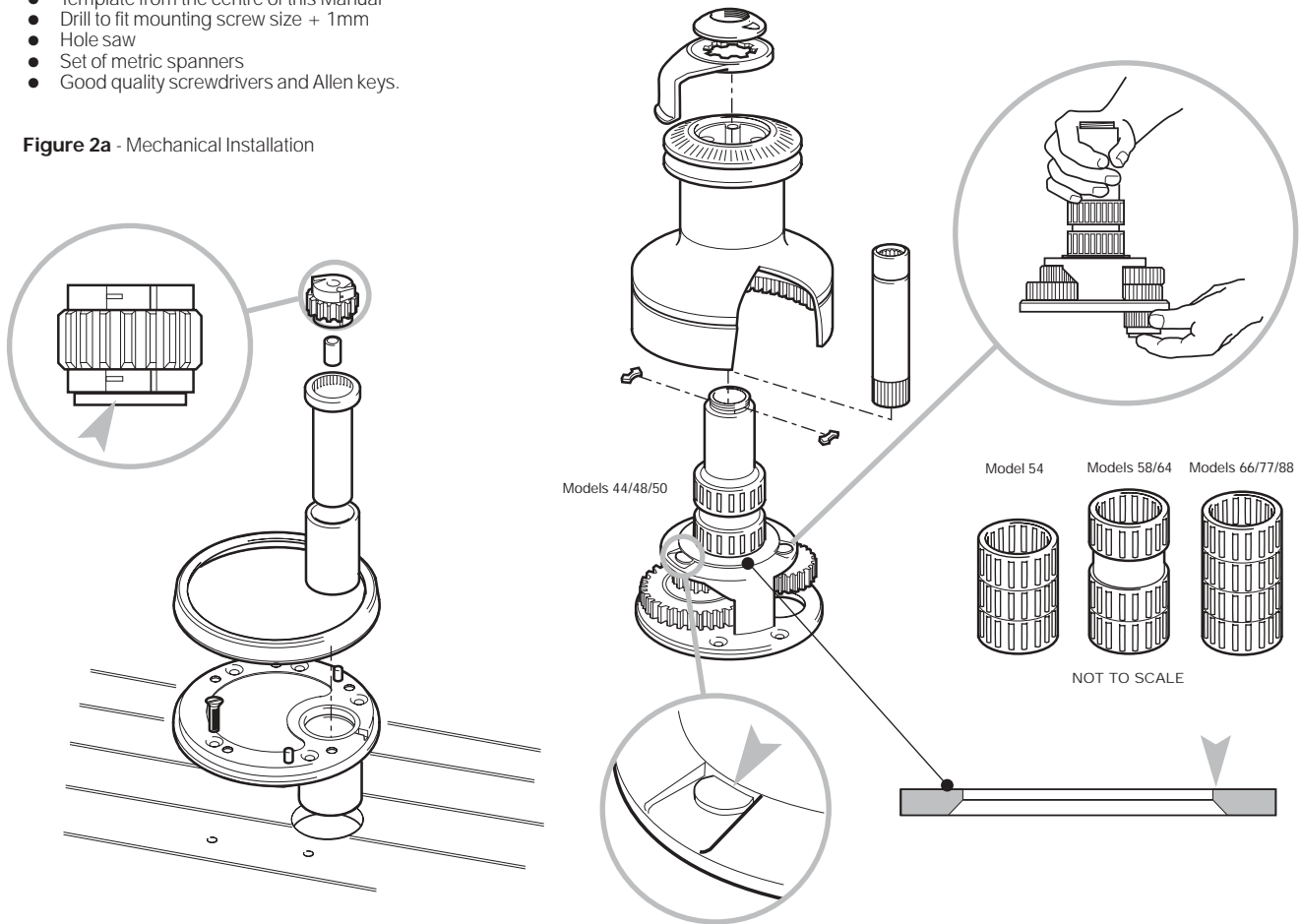
INSTALLATION

Recommended installation tools

Installation will require the following basic tools:

- Template from the centre of this Manual
- Drill to fit mounting screw size + 1mm
- Hole saw
- Set of metric spanners
- Good quality screwdrivers and Allen keys.

Figure 2a - Mechanical Installation



Winches - templates and fastenings

For winch sizes 44 - 64, refer also to the installation drawing and notes below. For winches 66 - 111, simply remove the winch drum and access to mounting holes is available through holes in the base of the centre stem. Select an appropriate site for the winch and, using the template 'line of entry' mark with the correct rope entry angle, then mark and cut/drill holes as per template instructions. All fixing holes should be cut with an allowance of +1mm Ø to fastening. See Table 2.

Fitting a Hydraulic Winch

- Place the winch in position to ensure correct fit once the holes have been drilled/cut.
- Unscrew the top cap.
- Remove feeder arm and collets.
- Lift off drum.
- Remove all screws holding centre stem to base.
- Using a flat bladed screwdriver in the drainage slots, lever off centre stem assy clear of the two dowel pins, taking care to hold the gear stack in position as shown above.
- Remove insulator, lift the base and bed down with a light coating of sealing compound to prevent leaks.
- Bolt the base plate to the deck ensuring that all that all fastening heads are countersunk and correctly bedded. Wipe off excess compound.
- Refit the insulator, having made sure it is free of any dirt, cuts or tears.
- Refit the centre stem assembly, taking care to hold gear stack in position as before. (If pawl gear falls away note shoulder face is "down"), rotating the gears will facilitate re-engagement of the pawls, and ratchet tracks.
- Replace drum, collets, feeder arm, and screw on the top cap.

NOTE: For winches 66 - 111, simply remove the winch drum and access to mounting holes is available through holes in the base of the centre stem.

Table 2

Winch	Fastening
44 & 48	5 x M8 (⁵ / ₁₆ "W) CSK head s/s washers and lock nuts
50 & 54	6 x M8 (⁵ / ₁₆ "W) CSK head washers and lock nuts
58 & 64	5 x M10 (³ / ₈ "W) CSK head s/s washers and lock nuts
66 - 88	6 x M10 (³ / ₈ "W) CSK head s/s washers and lock nuts
111	6 x M12 (¹ / ₂ "W) CSK head s/s washers and lock nuts

Note: Deck fastenings are not supplied.

Hydraulic drive unit winch coupling

Mechanical coupling of the hydraulic drive unit to the winch should be carried out in accordance with Figures 2 and 3, as well as installation details provided with the drive unit.

Winch models 44 - 64 use a deck mounted Power Base situated underneath the winch installation, to which the hydraulic drive unit is fitted from below.

Winch models 66 - 111 use a deck mounted Power Base which is integral to the hydraulic drive unit assembly. This is fitted to the deck using the winch's mounting screws, and application of a suitable bedding compound to the Power Base. Care should be taken to ensure that the bedding compound does not block the water drain slots.

CAUTION: THE POSITIONING OF THE HYDRAULIC DRIVE UNIT ASSEMBLY MUST BE CHECKED PRIOR TO CUTTING FOR DECK AND BULKHEAD CLEARANCE (See Figures 3 and 3a).

WARNING: HYDRAULIC DRIVE UNIT CASE DRAINS NEED NOT BE FITTED TO LEWMAR OCEAN HYDRAULIC WINCHES.

INSTALLATION

Hydraulic Installation - Winch/hydraulic drive unit assembly only

Note: Refer to Figure 1 and your installed hydraulic system manual. Hydraulic system installation is not covered in this publication.

CAUTION: THE INSTALLATION OF HYDRAULIC SYSTEMS REQUIRES A HIGH LEVEL OF CLEANLINESS. THE INGRESS OF DIRT WILL DANGEROUSLY IMPAIR THE SAFE OPERATION OF THE SYSTEM AND CAUSE PREMATURE WEAR OF HYDRAULIC COMPONENTS

Hydraulic system requirements

The Power/Performance Section on pages 8,9 & 10 of this publication sets out hydraulic pressure and flow requirements for each winch model.

Hoses and connections

Note: Hydraulic hoses and connectors are not supplied. To optimise winch performance all hydraulic hoses should be routed in as economical manner as practicable. Only reinforced braid type hydraulic hoses should be used that conform to SAE 100R7 and ISO D1S3949 safety requirements. See Table 3.

Table 3 - Dimensions and pressure performance

Minimum bore diameter

12mm (1/2") for hose runs up to 15m (50ft)

16mm (5/8") for hose runs above 15m (50ft)

Safe working pressure: (see performance graphs page 8, 9 & 10)

Minimum recommended bend radius: 150mm (6")

Hydraulic drive unit (hydraulic motor)

Refer to your installed hydraulic system manual for hydraulic drives. Table 4 refers to Lewmar Commander systems only.

Table 4 - Hydraulic drive unit connections

Table showing Commander Port Connections

Winch Model	Motorised speeds	Winch Port A	Winch Port B
44	1	A	B
48	1	A	B
50	1	A	B
54	1	A	B
58	1	A	B
64	1	A	B
66	2 / 3	A	B
77	2 / 3	A	B
88	2 / 3	A	B
111	2 / 3	A	B

Figure 3 - Winch/Hydraulic drive unit assembly
Lewmar Ocean Hydraulic Winches 44-64

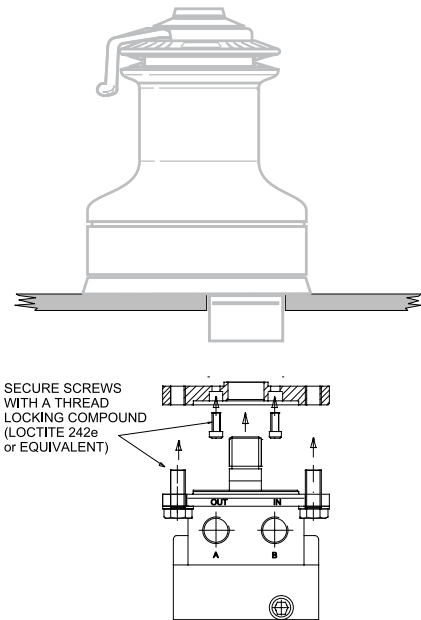
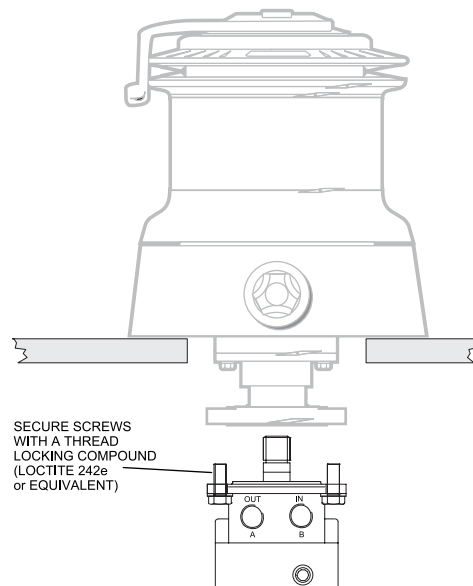


Figure 3a - Winch/Hydraulic drive unit assembly
Lewmar Ocean Hydraulic Winches 66-111



INSTALLATION TROUBLE SHOOTING

Hydraulic oil leakage

The following are possible causes for hydraulic oil leakage from hydraulic drive unit:

1. Excessive pressure.
2. Dirt obstructing a seal.
3. Loose or badly fitted connections.
4. Damaged or broken components.

When an hydraulic oil leak is detected, identify the true cause of the leakage before remedial action is taken.

CAUTION:

DO NOT ATTEMPT TO REMOVE HYDRAULIC COMPONENTS OR REPAIR THE HYDRAULIC SYSTEM WHILST PRESSURISED. TO PREVENT ACCIDENTAL OPERATION, SWITCH OFF POWER BEFORE REMOVING ANY SYSTEM COMPONENT.

Remedial Action

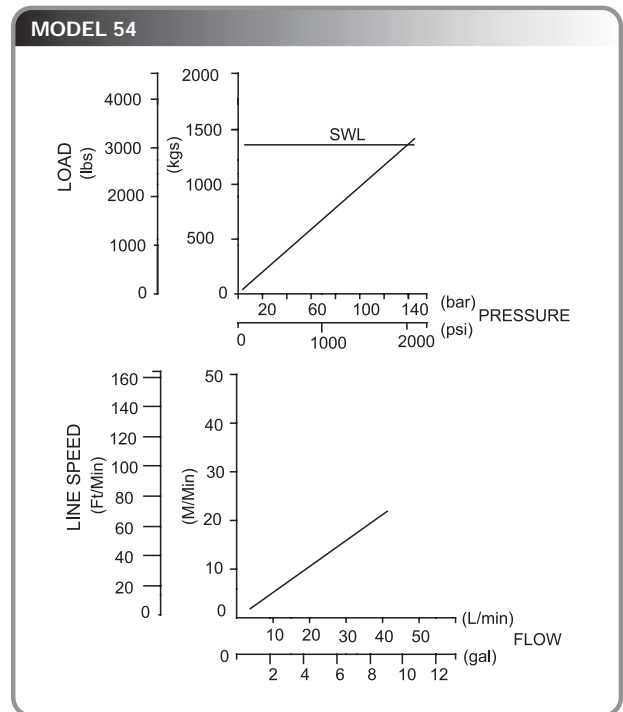
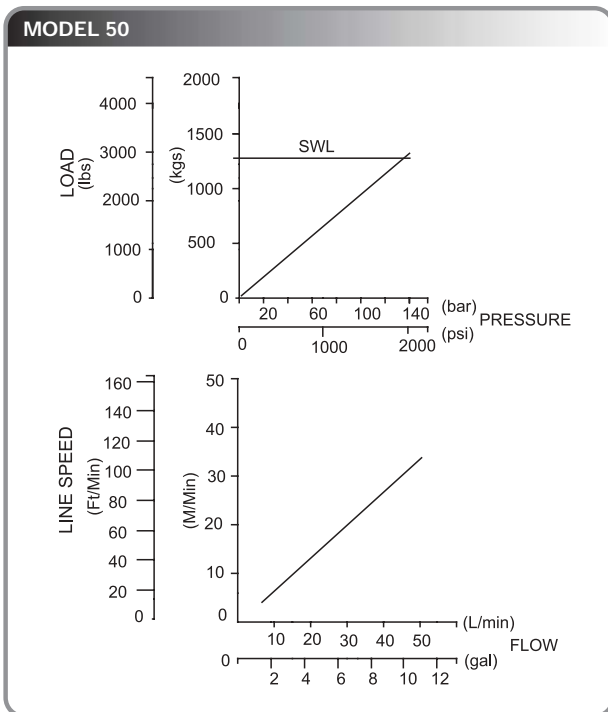
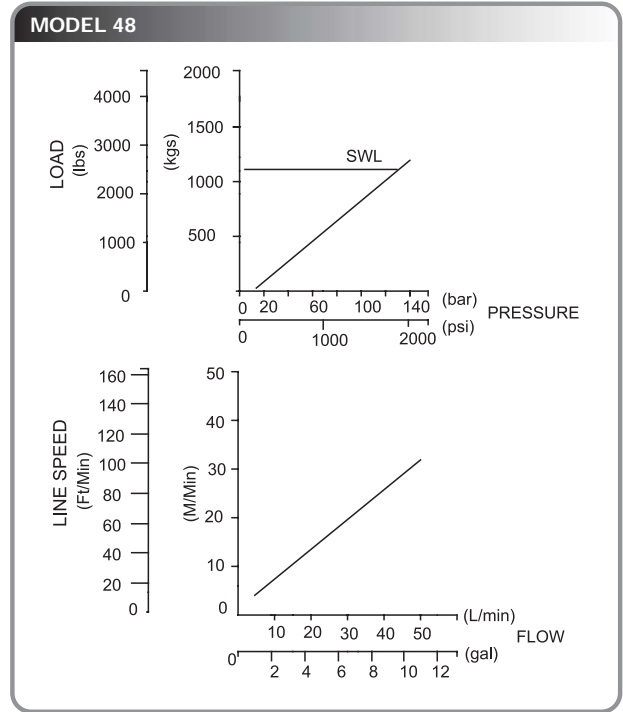
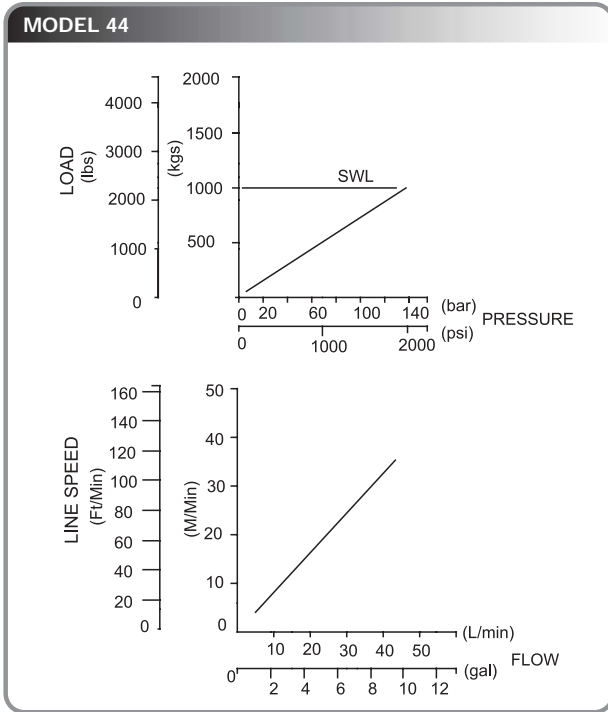
The following table sets out problems that may occur with Hydraulic winch installation, explains likely causes and provides probable remedies:

Symptom	Probable cause	Remedy
Winch will not start	No power to Commander	Check unit is switched on Check electrical connections to Commander
	Check fuses & safety cut-outs Insufficient hydraulic fluid Incorrect electrical or hydraulic connections	Check Commander fluid level Refer to your Lewmar Commander Manual. See the Button Sheet for correct function identification.
Winch motor is running but the winch is not working	Winches 44 - 64 Hydraulic pipes connected to the wrong motor port	Swap the hydraulic connections on the winch motor
	Winches 66 - 111 Winch handle left in winch	Remove handle
	Mechanical fault	Check all pawls & springs for correct operation and engagement. Check drive dog & spring (items 7 & 8 on the parts list figure). Ensure free operation and engagement.
Winch runs very slowly	Hydraulic pipes connected to wrong Commander function.	Refer to Commander Manual. Examine the Button Sheet to identify correct function.
	Hydraulic pipes connected to the wrong motor port Deck switch connected to wrong function.	Swap hydraulic connections on the winch motor. Refer to Lewmar Commander Manual.
Winch does not pull sufficient load	Insufficient hydraulic fluid	Check Commander fluid level.
	Hydraulic pipes connected to wrong Commander function.	Refer to Commander Manual. Examine the Button Sheet to identify correct function.
	Sharp bends or kinks in the hydraulic pipes starving the winch of fluid.	Check pipe runs for sharp bends or kinks. Minimum bend radius is 6" (150mm).
	System pressure too low.	Refer to Fault Diagnostic charts in the Commander Manual.

SPECIFICATIONS

Power/performance ratios

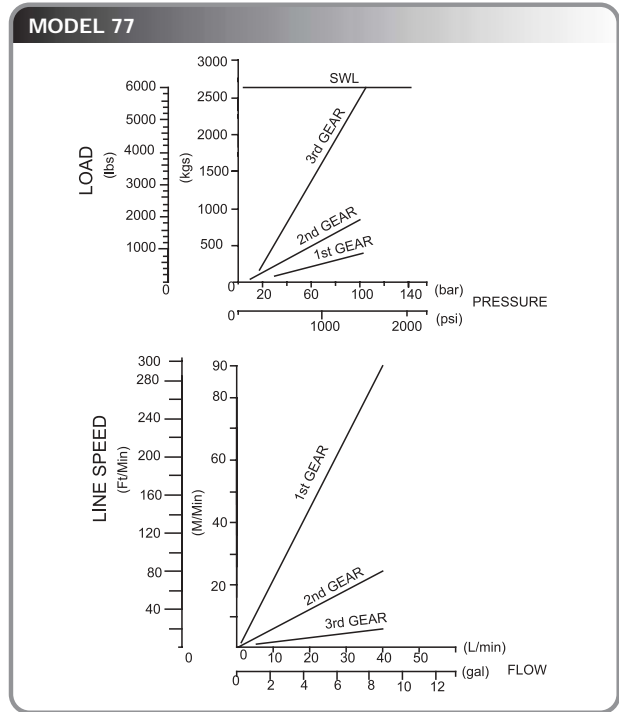
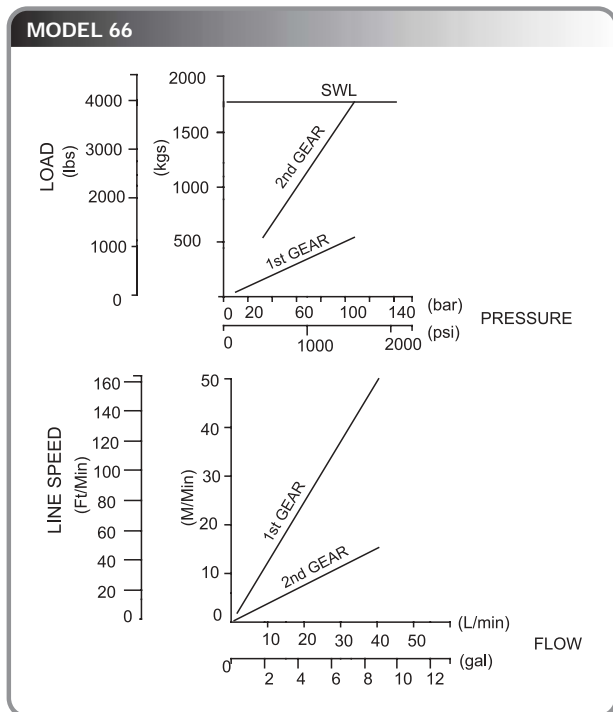
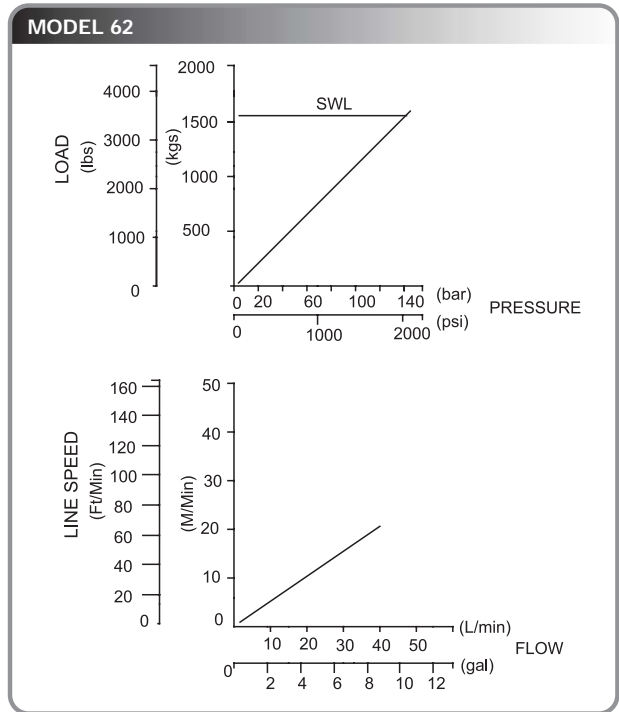
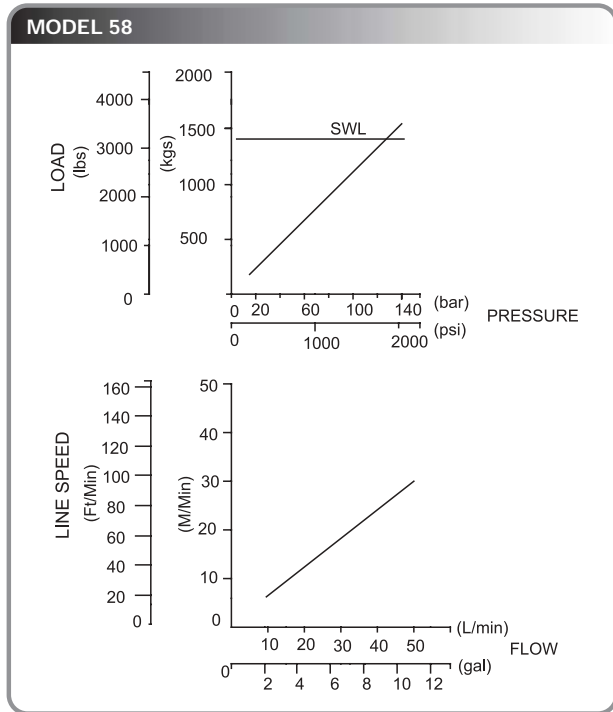
The graphs set out on pages 8, 9 & 10 show line speed and load characteristics against hydraulic flow and pressure. Each winch is factory tested to meet these specifications. If a winch is not performing as required, reference should be made to the power and performance graphs to check line speed against loading. If performance is inferior, refer to the Fault Finding section of this Manual. Variations in build can result in differing performance characteristics. The following graphs show the maximum performance envelope.



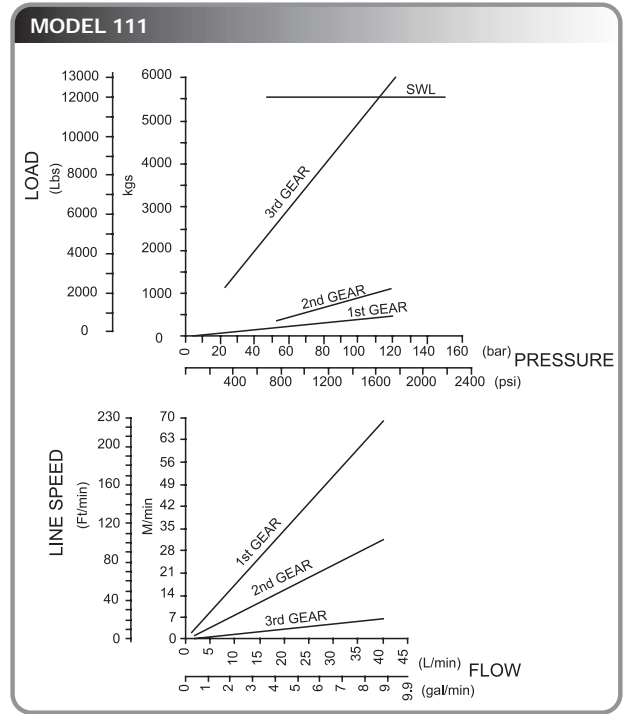
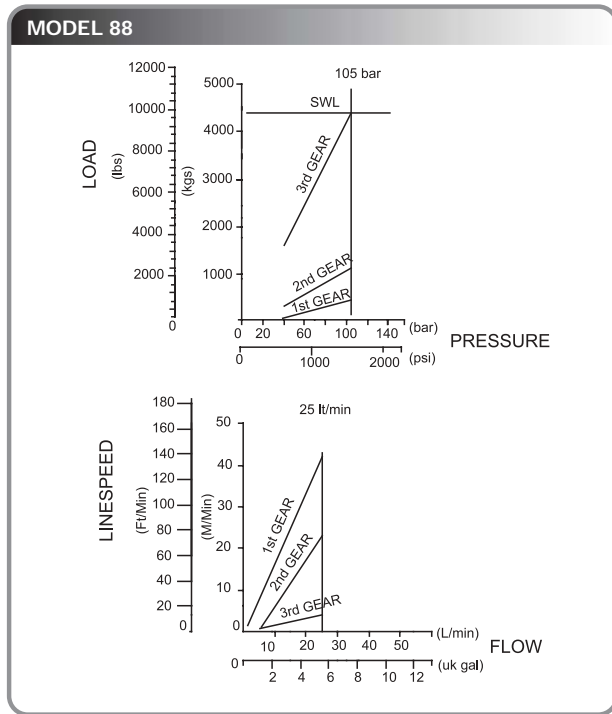
SPECIFICATIONS

Power/performance ratios

Note: If winch models 66 - 111 are installed with an autoshift Commander unit, only one deck switch may be required. Winch models 44 - 64 are single switch operation only. Refer to Commander Manual for deck switch installation details.



SPECIFICATIONS



Weights

Winch Model	Alloy Kg/Lbs	Bronze Kg/Lbs	Chrome Kg/Lb	Stainless Steel Kg/Lbs
44	16.8/37	19.6/43.1	19.6/43.1	19.3/42.5
48	18.5/40.7	22.4/49.3	22.4/49.3	21.7/47.7
50	21.5/47.3	26.4/58.1	26.4/58.1	26.1/57.4
54	22.1/48.6	28.0/61.6	28.0/61.6	27.8/61.2
58	24.9/54.8	32.4/71.3	32.4/71.28	31.4/69.1
64	27.2/59.8	34.4/75.7	34.4/75.7	33.1/72.8
66	28.5/62.7	35.3/77.6	35.3/77.6	34/74.8
66/3	34.5/75.9	41.3/90.1	41.3/90.1	40/88
77	35.5/78.1	40.6/89.3	40.6/89.3	41/90.2
77/3	36.5/80.3	41.6/91.5	41.6/91.5	42/92.4
88	-	-	-	54/118
88/3	-	-	-	55/121
111	-	-	-	68.5/150.7
111/3	-	-	-	69.5/152.9

Rope diameters

Winch	Rope Ø
44 & 48	8 to 14mm 5/16" to 9/16"
50 & 54	8 to 16mm 5/16" to 5/8"
58 & 64	8 to 18mm 5/16" to 11/16"
66	10 to 20mm 3/8" to 3/4"
77	12 to 22mm 1/2" to 7/8"
88	12 to 25mm 1/2" to 1"
111	16 to 38mm 5/8" to 1 1/2"

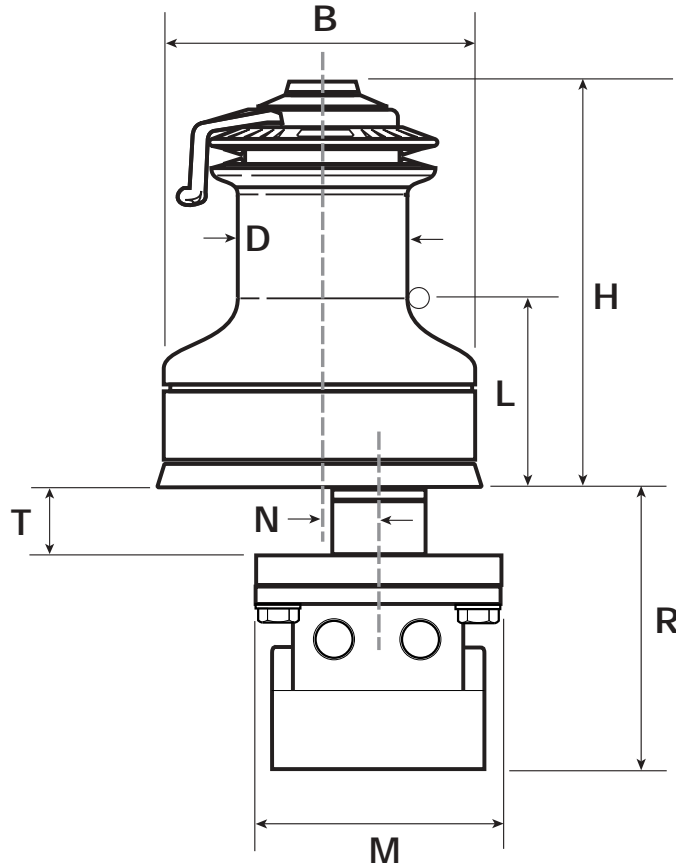
Maximum load values

Winch Model	Max. SWL Kg	Breaking Load Kg	Max. SWL Lbs	Breaking Load Lbs
44	1136	2273	2500	5000
48	1250	2500	2750	5500
50	1363	2727	3000	6000
54	1477	2955	3250	6500
58	1591	3182	3500	7000
64	1704	3409	3750	7500
66	2727	5455	6000	12000
66(Alloy Drum)	2045	4091	4500	9000
77	3409	6818	7500	15000
88	4545	9091	10000	20000
111	6363	12727	14000	28000

Note: Maximum safe working loads are not more than 50% of the breaking loads detailed above. This provides an acceptable safety margin for dynamic load surges in extreme sea conditions. See Power/Performance Graphs for exact load settings.

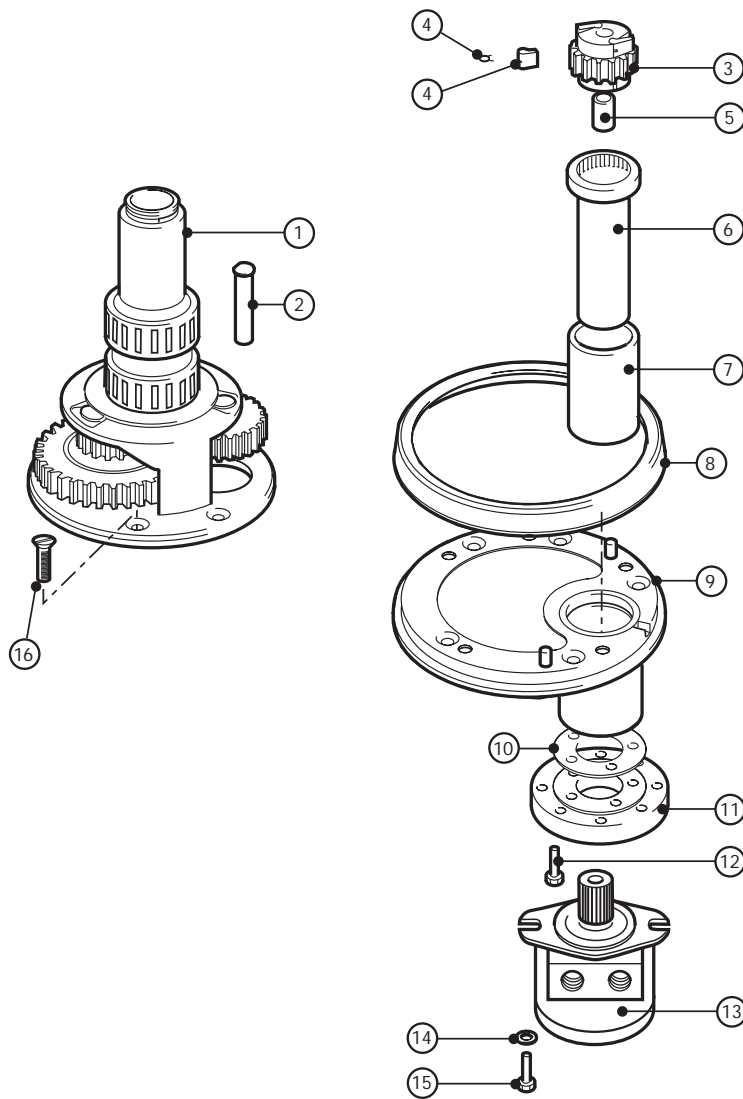
DIMENSIONS

Figure 4: Models 44 - 111



Model	D mm(inches)	B mm(inches)	H mm(inches)	L mm(inches)	M mm(inches)	N mm(inches)	R mm(inches)	T mm(inches)
44	87(3 ⁷ / ₁₆)	188(7 ³ / ₈)	212.5(8 ³ / ₈)	103.5(4 ¹ / ₁₆)	238.5(9 ²⁵ / ₆₄)	42(1 ⁵ / ₈)	198.5(7 ¹³ / ₁₆)	65(2 ⁹ / ₁₆)
48	93(3 ¹¹ / ₁₆)	200(7 ⁷ / ₈)	228.0(9 ³ / ₈)	108.5(4 ¹ / ₄)	238.5(9 ²⁵ / ₆₄)	44.5(1 ¹ / ₄)	198.5(7 ¹³ / ₁₆)	65(2 ⁹ / ₁₆)
50	105(4 ¹ / ₈)	201(7 ¹⁵ / ₁₆)	258(10 ¹ / ₈)	126(4 ¹⁵ / ₁₆)	290(11 ⁷ / ₁₆)	48.5(1 ¹⁵ / ₁₆)	198.5(7 ¹³ / ₁₆)	65(2 ⁹ / ₁₆)
54	105(4 ¹ / ₈)	206.4(8 ¹ / ₈)	270.8(10 ⁵ / ₈)	135.8(5 ³ / ₈)	290(11 ⁷ / ₁₆)	48.5(1 ¹⁵ / ₁₆)	198.5(7 ¹³ / ₁₆)	65(2 ⁹ / ₁₆)
58	118(4 ⁵ / ₈)	230(9 ¹ / ₁₆)	286.3(11 ¹ / ₄)	138.8(5 ¹ / ₂)	290(11 ⁷ / ₁₆)	52.9(2 ¹ / ₁₆)	198.5(7 ¹³ / ₁₆)	65(2 ⁹ / ₁₆)
64	118(4 ⁵ / ₈)	233.4(9 ³ / ₁₆)	291.3(11 ¹ / ₂)	141.8(5 ⁹ / ₁₆)	290(11 ⁷ / ₁₆)	52.9(2 ¹ / ₁₆)	198.5(7 ¹³ / ₁₆)	65(2 ⁹ / ₁₆)
66	141(5 ⁹ / ₁₆)	282(11 ¹ / ₈)	302.2(11 ¹⁵ / ₁₆)	142.1(5 ⁹ / ₁₆)	290(11 ⁷ / ₁₆)	-	204.2(8 ¹ / ₁₆)	62.5(2 ⁷ / ₁₆)
66/3	141(5 ⁹ / ₁₆)	294(11 ¹ / ₂)	348(13 ¹ / ₁₆)	170(6 ¹ / ₁₆)	290(11 ⁷ / ₁₆)	-	204.2(8 ¹ / ₁₆)	62.5(2 ⁷ / ₁₆)
77	178(7)	294(11 ¹ / ₂)	348(13 ¹ / ₁₆)	174(6 ⁷ / ₈)	290(11 ⁷ / ₁₆)	-	208(8 ³ / ₁₆)	65(2 ⁹ / ₁₆)
77/3	178(7)	294(11 ¹ / ₂)	348(13 ¹ / ₁₆)	174(6 ⁷ / ₈)	290(11 ⁷ / ₁₆)	-	208(8 ³ / ₁₆)	65(2 ⁹ / ₁₆)
88	228(9)	326(12 ¹³ / ₁₆)	355(14)	159.5(6 ¹ / ₄)	290(11 ⁷ / ₁₆)	-	212(8 ³ / ₁₆)	75(2 ¹⁵ / ₁₆)
88/3	228(9)	326(12 ¹³ / ₁₆)	355(14)	159.5(6 ¹ / ₄)	290(11 ⁷ / ₁₆)	-	212(8 ³ / ₁₆)	75(2 ¹⁵ / ₁₆)
111	280(11)	406(16)	396(15 ⁹ / ₁₆)	171.5(6 ³ / ₄)	290(11 ⁷ / ₁₆)	-	231(9 ¹ / ₁₆)	88(3 ⁷ / ₁₆)
111/3	280(11)	406(16)	396(15 ⁹ / ₁₆)	171.5(6 ³ / ₄)	290(11 ⁷ / ₁₆)	-	231(9 ¹ / ₁₆)	88(3 ⁷ / ₁₆)

PARTS LIST MODELS 44 - 64



Item	Description	Qty.	44	48	50	54	58	64
1	Centre Stem	1	45000337	45000437	45000560	45000660	45000760	45000860
2	Gear Spindle	1	45000344	45000444	45000544	45000744	45000744	45000744
3	Ratchet Pawl Gear	1	45000342	45000342	45000542	45000642	45000742	45000842
4	Pawl	4	15000094	15000094	15000301	15000301	15000301	15000301
	Spring	4	1260/7	1260/7	1260/7	1260/7	1260/7	1260/7
5	Bearing	3	15000398	15000398	15000017	15000017	15000017	15000017
6	Drive Shaft	1	45000346	45000346	45000546	45000546	45000546	45000546
7	Plain Bearing	1	45000248	45000248	45000248	45000248	45000248	45000248
8	Base Plate Cover	1	45000329	45000429	45000529	45000529	45000759	45000759
9	Base Plate	1	45000328	45000428	45000528	45000528	45000758	45000758
	Dowel	2	45000235	45000235	45000581	45000581	45000581	45000581
	Shaft Seal	1	B6234	B6234	B6235	B6235	B6235	B6235
10	Insulation Shim	1	45000257	45000257	45000257	45000257	45000257	45000257
11	Plate	1	45000348	45000348	45000348	45000348	45000348	45000348
12	SKT HD Screw M6x12	5	B0678	B0678	B0678	B0678	B0678	B0678
13	Hydraulic Motor	1	B7718	B7719	B7719	B7720	B7720	B7720
14	Washer M12	2	B1212	B1212	B1212	B1212	B1212	B1212
15	HEX Bolt M12	2	B0061	B0061	B0061	B0061	B0061	B0061
16	CSK HD Screw M8x16	5	B0536	B0536	-	-	-	-
	CSK HD Screw M8x25	6	-	-	B0812	B0812	-	-
	CSK HD Screw M10x25	5	-	-	-	-	B0567	B0567

PARTS LIST MODEL 66 - 111

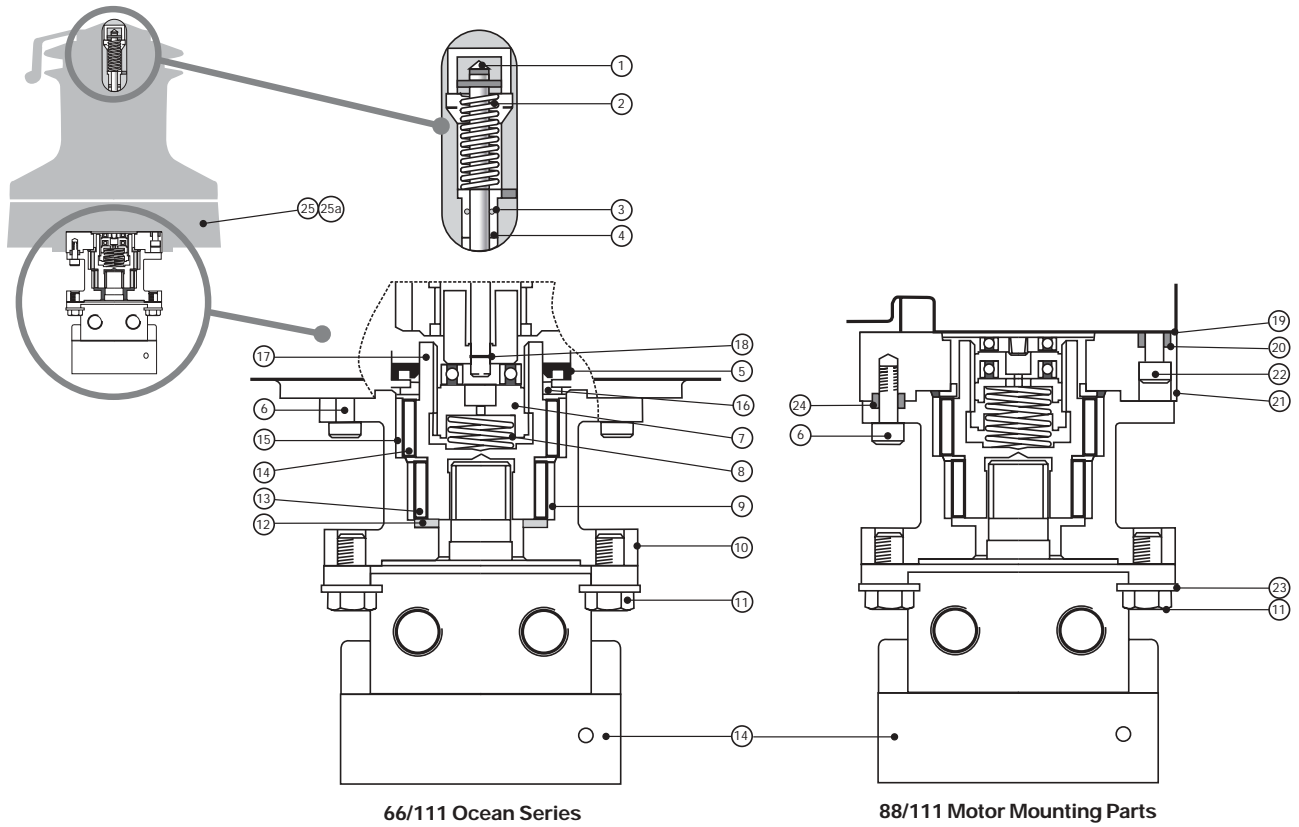


Figure 6: Key to parts list - Models 66 - 111

Item	Description	Quantity	66-2	66-3 & 77	88	111
1	Push Rod Assembly	1	18000181	18000488	18000489	18000490
2	Spring	1	15044613	15044613	15044613	15044613
3	'O' Ring	1	B2532	B2532	B2532	B2532
4	Bush	1	15000184	15000184	15000184	15000184
5	Seal	1	B2593	B2593	B2578	B2578
6	Screw	4	B0686	B0686	B0687	B0687
7	Drive Dog	1	15300688	15300575	15300575	15300575
8	Spring	1	15300489	15300489	15300489	15300489
9	Sleeve	1	15000617	15000617	15000617	15000617
10	Adaptor	1	45002151	45002151	45002151	45002151
11	Screw M12	2	B0061	B0061	B0061	B0061
14	Hydraulic Motor	1	B7717	B7717/B7718	B7719	B7720
12	Trust Washer	1	15003286	15003286	15003286	15003286
13	Roller Bearing	1	15008007	15008007	15008007	15008007
14	Roller Bearing	1	15010007	15010007	15010007	15010007
15	Bush	1	1500569	1500569	1500569	1500569
16	Thrust Sleeve	1	45002154	45002154	45002154	45002154
17	Connecting Shaft	1	45000946	45000946	45000946	45000946
18	Spring Clip	1	15000186	15000186	15000186	15000186
19	Gasket	1	45002155	45002155	45002229	45002229
20	Hollow Dowel	1	-	-	15065111	15065111
21	Adaptor Plate	1	-	-	45002231	45002231
22	SKT CAP HD M12x25	4	-	-	B0688	B0688
23	Washer M12	2	B1212	B1212	B1212	B1212
24	Hollow Dowel	1	45002140	45002140	45002140	45002140
25	Adaptor Base Alloy	1	45000940	-	-	-
25a	Adaptor Base Chrome	1	45000941	-	-	-

NOTE: Adaptors not required on 66/2 and 77

LEWMAR WARRANTY

Lewmar warrants its products in normal usage to be free of defects in materials and workmanship for a period of three years from date of purchase by the original purchaser, subject to the conditions, limitations and exceptions listed below. Any part which proves to be defective in normal usage during that three-year period, will be repaired or at Lewmar's option, replaced by Lewmar.

A CONDITIONS AND LIMITATIONS

- i The warranty shall be limited to repair or replacement of the goods or parts defective in materials or workmanship.
 - ii Determination of the suitability of the material for the use contemplated by the buyer is the sole responsibility of the buyer. Lewmar shall have no responsibility in connection with such suitability.
 - iii Lewmar shall not be liable in any way for:
 - a Failures, loss or damage due to use of products in applications for which they are not intended.
 - b Failures, loss or damage due to corrosion, ultra violet degradation, wear and tear or improper installation.
 - c Failures, loss or damage due to incorrect maintenance.
 - d Failures, loss or damage due to conditions that exceed the product's performance specifications.
 - iv Product subject to warranty claim must be returned to Lewmar for examination unless otherwise agreed by Lewmar in writing.
 - v Lewmar shall not be responsible for shipping charges nor installation labour associated with any warranty claim.
 - vi Services by anyone other than authorised Lewmar representatives shall void this warranty unless it accords with Lewmar's guidelines and standards of workmanship.
 - vii Lewmar's products are intended for use only for marine purposes. Buyers intending to use them for any other purpose should seek advice from Lewmar, and Lewmar shall not be liable for liability arising from use, which Lewmar has not approved.
- B EXCEPTIONS**
- Warranty is limited to a period of one year from the date of purchase in the case of the following:
- Bow thrusters

- Electric motors and electrical equipment
- Electronic controls
- Hydraulic pumps, valves and actuators
- Weather seals
- Products used in "Grand Prix" racing applications

C LIABILITY

- a Lewmar's liability under this warranty shall be to the exclusion of all other warranties or liabilities (to the extent permitted by law). In particular (but without limitation):
 - Lewmar shall not be liable for:
 - Any indirect or consequential loss (including without limitation) any loss of anticipated profits, damage to reputation or goodwill, loss of expected future business, damages, costs or expenses payable to any third party or any other person.
 - Any damage to yacht or equipment.
 - Death or personal injury (unless caused by Lewmar's negligence).
- b Lewmar grants no warranties regarding the fitness for purpose, use, nature or satisfactory quality of the goods.
- c Where the laws of the country do not permit a warranty to be excluded, then such warranty, if permitted by that country, shall be limited to a period of one year.

D SEVERANCE CLAUSE

If any clause of these warranties is held by any competent authority to be invalid or unenforceable in whole or in part of the validity of the other clauses of this warranty and the remainder of the clause in question shall not be affected.

E This warranty gives you specific legal rights, and you may also have other legal rights, which vary from country to country. Where products are sold in the UK under a consumer transaction, the buyer's statutory rights are not affected. Lewmar Limited reserves the right to alter design and specification without prior notice.

D GARANTIE VON LEWMAR LIMITED

Lewmar garantiert für einen Zeitraum von drei Jahren ab Kaufdatum – dem normalen Gebrauch der Produkte vorausgesetzt -, daß seine Produkte keine Herstellungs- oder Materialfehler aufweisen. Diese Gewährleistung erfolgt zu den Bedingungen und mit den Beschränkungen und Ausnahmen, die nachstehend aufgeführt sind. Teile, die bei normaler Bedienung des Produktes einen Garantieanspruch als fehlerhaft erweisen, werden von Lewmar repariert oder aufgrund Lewmars Entscheidung ausgetauscht.

A BEDINGUNGEN UND EINSCHRÄNKUNGEN

- i Die Haftung von Lewmar ist auf die Reparatur oder den Austausch der Teile beschränkt, die Material- oder Herstellungsfehler aufweisen.
- ii Die Feststellung, ob das Material für die vom Käufer beabsichtigte Verwendung geeignet ist, fällt unter die alleinige Verantwortung des Käufers. Lewmar übernimmt keine Haftung im Zusammenhang mit einer solchen Eignungsfeststellung.
- iii Lewmar kann nicht haftbar gemacht werden für:
 - a Versagen, Verlust oder Schäden aufgrund der Nutzung der Produkte in Anwendungen, für die sie nicht bestimmt sind.
 - b Versagen, Verlust oder Schäden durch Korrosion, UV-Zersetzung, normalen Verschleiß oder falsche Installation.
 - c Versagen, Verlust oder Schäden durch Überbeanspruchung der Produkte.
- iv Produkte, für die Garantiesprache geltend gemacht werden, müssen an Lewmar zwecks Prüfung zurückgeschickt werden, es sei denn, daß Lewmar schriftlich andere Vereinbarungen bestätigt hat.
- v Lewmar übernimmt keine Frachtkosten oder Kosten für Installationsarbeiten im Zusammenhang mit einem Garantieanspruch.
- vi Diese Garantie verfallt, wenn andere Personen als zugelassene Lewmar-Vertreter Serviceleistungen in Bezug auf die Produkte durchführen, es sei denn, daß diese Arbeiten den Richtlinien und Herstellungsstandards von Lewmar entsprechen.
- vii Lewmar Produkte sind ausschließlich für den Einsatz im Wassersport- bereich konzipiert. Käufer, die diese Produkte für jeglichen anderen Zweck benutzen wollen, sollten das Einverständnis von Lewmar einholen. Lewmar übernimmt dabei keine Haftung durch den Gebrauch, den Lewmar nicht ausdrücklich gebilligt hat.

B AUSNAHMEN

- Die Garantie ist im folgenden Fällen für die Zeildauer eines Jahres, beginnend mit dem Datum des Verkaufes befristet:
- Bugstrahlruder
 - Elektrische Motoren und elektrische Ausrüstung

- Elektronische Steuerungen
- Hydraulische Pumpen, Ventile und Drehzahlrieger
- Wetterdichtungen
- Produkte, die "Grand Prix"-Einsatz

C HAFTUNG

- i Die Haftung sollens Lewmar schließt alle anderen Garantie und Verantwortlichkeiten (in dem Maße, wie das Gesetz dies zuläßt) aus. Insbesondere (jedoch nicht limitiert):
 - Lewmar wird nicht haftbar gemacht für:
 - eventuelle indirekte Schäden oder Folgeschäden einschließlich (jedoch ohne Begrenzung) entgangener erwarteter Gewinne, des Verlusts von erwarteten zukünftigen Geschäfte, Schädigung von Ruf oder Goodwill sowie einschließlich Schäden, Kosten oder Aufwendungen, die an Dritte zuzurechnen sind sowie einschließlich anderer indirekter Verluste:
 - Schäden an Yacht oder Ausrüstung;
 - Tod oder Personenschäden (ausgenommen verursacht durch Fahrlässigkeit von Lewmar).
- b Lewmar gewährt keine Garantie bezüglich der Eignung der Produkte hinsichtlich der vom Käufer bezweckten Nutzung, des Gebrauchs, der Art, der Marktgängigkeit oder der befriedigenden Qualität der Produkte.
- c Wenn die relevanten Gesetze des betreffenden Landes den Ausschluß von Garantie nicht erlauben, wird die Garantie, falls die Gesetze dies zulassen, auf ein (1) Jahr begrenzt.

D ALTRENNBARKEIT EINZELNER BESTIMMUNGEN

Falls eine oder mehrere dieser Garantiebestimmungen von einer zuständigen Behörde ganz oder teilweise für nicht gültig oder nicht einklagbar erachtet werden, mindert dies nicht die Gültigkeit der übrigen Bestimmungen dieser Garantie und des Rests der betreffenden Bestimmung.

E Aufgrund dieser Garantie haben Sie bestimmte gesetzliche Rechte; darüber hinaus stehen Ihnen gegebenenfalls von Land zu Land unterschiedliche sonstige gesetzliche Rechte zu. Werden die Produkte im UK unter Verbraucherverbindungen verkauft, sind die gesetzsmässigen Rechte des Käufers nicht betroffen.

Lewmar Limited behält sich das Recht vor, das Design, die Konstruktion und die Spezifikationen von Produkten ohne vorherige Ankündigung zu ändern.

TERMS AND CONDITIONS OF SALE

All sales are subject to Lewmar's General Terms and Conditions of Sale, which can be obtained from Lewmar Limited Head Office in Havant. The foregoing warranty and the following General Conditions of Sale form part of, but do not supplement, Lewmar's General Terms and Conditions of Sale. In the event of any conflict between the foregoing warranty and the following General Conditions of Sale on the one hand and Lewmar's full General Terms and Conditions of Sale on the other, Lewmar's full General Terms and Conditions of Sale shall prevail.

Prices

All prices are subject to change without prior notice due to the fluctuating costs of materials and wages. Prices are ex-warehouse and are those ruling at the date of dispatch and exclude VAT, which will be charged as appropriate.

Quotations

Any quotation is open for acceptance for a period of 30 days from the date of quotation. Quotations can only be regarded as firm when they are put in writing. (Verbal estimates are made purely for indicative purposes.)

Return of goods

RETURNED GOODS WILL NOT BE ACCEPTED NOR CREDIT ISSUED UNLESS THE RETURN IS AUTHORISED BY LEWMAR LIMITED. An authorisation will be issued on approval of return.

All carriage charges on returned goods must be prepaid. All returned stock accepted after subsequently returns to our stock will be subject to a 15% restocking charge. Items returned in a damaged condition will not be credited at full value.

Catalogues

Sales literature and product manuals are available from Lewmar on request. These items can also be ordered from our Web site.

Availability

Goods can be obtained from your local boat builder or chandler. We will be pleased to inform you of your nearest supplier.

F GARANTIE LIMITÉE & CONDITIONS GÉNÉRALES DE VENTE

LEWMAR garantit ses produits, dans des conditions normales d'utilisation, contre toutes pièces défectueuses ou défauts de fabrication pendant trois à partir de la date d'achat par l'acheteur d'origine, sous réserve des conditions, restrictions et exceptions listées ci-après. Toute pièce qui s'avère défectueuse à la suite d'une utilisation normale au cours de cette période de trois ans sera réparée ou remplacée par LEWMAR, qui sera seul juge du bien-fondé de sa décision à cet égard.

A Conditions et restrictions

- i La responsabilité de LEWMAR sera limitée à la réparation ou au remplacement des marchandises ou pièces présentant des défauts de fabrication.
- ii Il incombe à l'acheteur seul de déterminer si le matériel est adapté à l'usage auquel il le destine et LEWMAR ne saura être tenu responsable de toute décision en ce domaine.
- iii LEWMAR ne reconnaît aucune responsabilité pour:
 - a Les pannes, pertes et détériorations consécutives à une utilisation inadéquate des produits.
 - b Les pannes, pertes et détériorations causées par la corrosion, la dégradation par ultraviolets, l'usage normale ou une installation inadéquate.
 - c Les pannes, pertes et détériorations dues à un entretien inadéquat.
 - d Les pannes, pertes et détériorations dues à des conditions qui ne sont pas prévues par les spécifications du produit.
- iv Tout produit faisant l'objet d'une réclamation sous garantie devra être renvoyé à LEWMAR pour être examiné, sauf signature contraire par écrit de LEWMAR.
- v LEWMAR n'est pas responsable des frais d'expédition ou de main d'œuvre associés à toute réclamation sous garantie.
- vi Tout entretien effectué par quelqu'un autre que les représentants agréés LEWMAR annulera cette garantie, sauf s'il est effectué en accord avec les directives et normes de fabrication de LEWMAR.
- vii Les produits LEWMAR sont destinés à un usage marin. Les acheteurs destinant les produits LEWMAR à un usage autre que celui-ci devront probablement consulter conseil auprès de LEWMAR, qui decline toute responsabilité vis-à-vis d'un type d'usage qui n'a été pas été approuvé par LEWMAR.

B Exceptions

- La garantie est limitée à une période d'un an à compter de la date d'achat pour les produits suivants:
- Propulseur d'étrave
 - Moteurs électriques et équipement électrique

- Commandes électroniques
- Pompes hydrauliques et dispositifs de commande
- Joints etanches
- Produits utilisés dans les épreuves de type «Grands Prix»

C Responsabilité

- i La responsabilité de LEWMAR dans le cadre de la présente garantie exclut toutes autres garanties ou responsabilités, sous réserve du respect des dispositions légales en vigueur et il est entendu que :
 - LEWMAR decline toute responsabilité pour:
 - tout dommage indirect ou tout préjudice financier consécutif incluant notamment, sans que la liste soit exhaustive, la perte de revenus anticipés, l'absence à la reproduction ou à la clientèle, la perte de profits, les dommages et intérêts civils et les dépenses qui doivent être payés à un tiers ou à un usage ni de qualité satisfaisante de la marchandise;
 - tout dommage causé aux yacht ou aux équipements;
 - le décès ou les dommages corporels des tiers (sauf en cas de faute établie de LEWMAR).
- ii Certains pays interdisent toute exclusion de garantie. Dans ce cas, la garantie, si la loi l'autorise, sera limitée à une période d'un an.

D Réparation de clause

Si l'une des clauses de cette garantie était invalide ou jugée inapplicable par une autorité compétente, en tout ou en partie, la validité des autres clauses de cette garantie, ou la partie non contestée de la clause en question, ne serait pas affectée.

E Cette garantie vous donne des droits particuliers, mais vous pouvez également bénéficier d'autres droits, qui varient selon les pays. Lorsque les produits sont vendus au Royaume-Uni dans le cadre d'une opération de vente au public, les droits légalitaires de l'acheteur restent sans changement.

LEWMAR Ltd se réserve le droit de modifier la conception et les spécifications de ses produits sans avertissement préalable.

CONDITIONS GENERALES DE VENTE

Toutes ventes sont soumises aux Conditions Générales de Vente de LEWMAR qui peuvent être obtenues sur demande adressée à Lewmar Limited Head Office, Havant.

Les précédentes clauses de garantie ainsi que les conditions générales de ventes qui suivent y compris les modalités fort partie intégrante des Conditions Générales de Vente de LEWMAR et viennent les compléter. En cas de conflit entre d'une part les précédentes clauses de garantie et les conditions générales de vente qui suivent et d'autre part l'intégralité des Conditions Générales de Vente de LEWMAR, il est entendu que ce sont ces dernières qui prévalent.

Prix

Tous les prix peuvent être modifiés sans préavis préalable en fonction des variations des prix des matériaux et du coût de la main d'œuvre. Les prix sont ex-entrepôt et correspondent au prix en cours à la date d'envoi; les prix ne comprennent pas la TVA qui sera appliquée au tax en vigueur.

Les articles restitués sans à réserve d'acceptation pendant une période de 30 jours suivant la date portée sur le devis. Les devis ne sont considérés comme définitifs que lorsqu'ils sont donnés par écrit (les devis verbaux sont donc considérés comme non définitifs).

Retour de marchandises

LES MARCHANDISES RETOURNÉES NE SERONT PAS ACCEPTÉES ET AUCUN REMBOURSEMENT NE SERA ACCORDÉ, SAUF AUTORISATION ÉCRITE DE LEWMAR.

Une autorisation sera délivrée à l'acceptation du retour. Tous les frais de retour des marchandises doivent être réglés d'avance.

Toutes les marchandises acceptées et renvoyées ultérieurement à nos magasins seront soumises à 15% de frais de remise en stock. Les articles retournés en mauvais état ne seront pas remboursés dans leur totalité.

Cataloges

Les catalogues, prospectus et manuels d'utilisation des produits LEWMAR seront expédiés par LEWMAR sur demande. Les articles figurant dans les documents énumérés ci-dessus peuvent également être commandés à partir de notre Web Site.

Disponibilité

Les marchandises sont en vente chez votre chantier ou spahinchaper local. Nous serons heureux de vous indiquer l'adresse du fournisseur le plus proche de votre domicile.

E GARANTIA

Lewmar garantiza sus productos en condiciones normales de uso, contra defectos en materiales y mano de obra por un periodo de tres años a partir de la fecha de la compra por el comprador original, con sujeción a las condiciones, limitaciones y excepciones indicadas a continuación. Cualquier pieza que se demuestre que es defectuosa en su uso normal durante este periodo de tres años será reparada o, a elección de Lewmar, sustituida por Lewmar.

A CONDICIONES Y LIMITACIONES

- i La responsabilidad de Lewmar se limitará a la reparación o sustitución de las mercancías o piezas defectuosas en sus materiales o en su fabricación.
- ii La determinación de la adecuación del material para el uso que le pretende dar el comprador es responsabilidad única del comprador y Lewmar no tendrá responsabilidad alguna respecto a tal adecuación.
- iii Lewmar no tendrá responsabilidad por:
 - a Averías, pérdidas o daños debidos al uso de productos en aplicaciones para las que no fueron diseñados.
 - b Averías, pérdidas o daños debidos a la corrosión, degradación por rayos ultravioleta, desgaste normal o instalación inadecuada.
 - c Averías, pérdidas o daños debidos a mantenimiento incorrecto.
 - d Averías, pérdidas o daños debidos a uso en condiciones que exceden las especificaciones de utilización del producto.
- iv El producto sujeto a reclamación de garantía ha de enviarse a Lewmar para su examen a no ser que se acuerde de otra manera por escrito por Lewmar.
- v Lewmar no será responsable de los gastos de transporte ni del trabajo de instalación correspondiente a cualquier reclamación de garantía.
- vi El mantenimiento llevado a cabo por cualquiera que no sea un representante autorizado de Lewmar causará que la presente garantía quede anulada a no ser que se hecho de acuerdo con las directrices y normas de mano de obra de Lewmar.
- vii Los productos Lewmar están destinados solamente para uso en aplicaciones marinas. Los compradores que pretendan utilizarlos en cualquier otra aplicación deben consultar a Lewmar, y Lewmar no tendrá ninguna responsabilidad surgida en una utilización no aprobada por Lewmar.

B EXCEPCIONES

- La garantía se limita a un periodo de un año a partir de la fecha de la compra en los casos siguientes:
- Propulsores de proa
 - Motores eléctricos y equipo eléctrico

- Controles electrónicos
- Bombas, válvulas y actuadores hidráulicos
- Juntas de estanqueidad
- Productos utilizados en competiciones tipo "Grand Prix"

C RESPONSABILIDAD

- i La responsabilidad de Lewmar bajo esta garantía excluye la aplicación de cualquier otra garantía o responsabilidad alguna, con sujeción a las limitaciones permitidas por la ley. Particularmente (pero no exclusivamente):
 - Lewmar no será responsable de:
 - Cualquier daño indirecto o consecuencia incluyendo (sin limitación) cualquier pérdida de beneficios previstos, daños indirectos o pérdidas de ganancias (incluyendo pérdidas de futuros negocios esperados, daños, costos o gastos pagaderos a terceros partes o cualquier otra pérdida.
 - Cualquier daño a yacht o a su equipo.
 - Muerte o lesiones a personas (excepto si son debidas a negligencia por parte de Lewmar).
- ii Lewmar no otorga garantías en lo referente a la adecuación al propósito, uso, naturaleza, comerciabilidad o calidad satisfactoria de los productos.
- iii Cuando las leyes de un país no permitan la exclusión de una garantía, dicha garantía estará limitada a un año, si la ley de tal país lo permite.

D CLÁUSULA DE SEPARACIÓN

Si alguna cláusula de esta garantía es dada como inválida o no aplicable en todo o en parte por alguna autoridad competente, la validez de la demás cláusulas y del resto de la cláusula en cuestión no se verá afectada.

E Esta garantía le da a usted derechos legales específicos, y puede tener además otros derechos legales que varían de un país a otro. Cuando los productos son vendidos en el Reino Unido (UK) en una transacción de consumo los derechos del estado del comprador no quedan afectados.

Lewmar Limited se reserva el derecho a cambiar el diseño y las especificaciones sin aviso previo. *Esta garantía cubre todos los productos presentados en los catálogos de Lewmar a partir de 1992 comprados después del 1 de Julio de 1992.

A VILKOR O BEGRÄNSNINGAR

- i Lewmars ansvarskyldighet skal begränsas till reparation eller utbyte av de artiklar eller delar som är bristfälliga med avseende på material eller utförande.
- ii Allt fastställt materialer lämplighet för den av koparen avsedda användningen är utestående koparans ansvar och Lewmar skall inte ha någon ansvarskyldighet med anknytning till sådana lämplighet.
- iii Lewmar skall inte på något sätt vara ansvarig för:
 - a Bristfälligheter, fortlust eller skada till följd av produktens användning inom området, som de inte är avsedda för.
 - b Bristfälligheter, fortlust eller skada till följd av korrosion, ultraviolett nedbrytning, försilning eller felaktig installation.
 - c Bristfälligheter, fortlust eller skada till följd av felaktigt underhåll.
 - d Bristfälligheter, fortlust eller skada till följd av förhållanden som överskrider produktens prestanda-specifikation.
- iv Produkt som är föremål för anspråk enligt garanti måste returneras till Lewmar för undersökning såvida ej annat förutningsgått skriftligen av Lewmar.
- v Lewmar skall inte vara ansvarig för spediseringavgifter eller återkostnader för installation i samband med något anspråk enligt garanti.
- vi Underhållsarbete av någon annan person eller firma än en Lewmars auktoriserade representanter gör denna garanti ogiltig om detta arbete inte överensstämmer med Lewmars riktlinjer och normer för utförande.
- vii Lewmars produkter är avsedda för endast marint bruk. Kunden vill ha för avsikt att använda produkterna till annat ändamål, måste söka råd från Lewmar och Lewmar kan aldrig belästas för användning som Lewmar inte har godkänt.

A VILKOR O BEGRÄNSNINGAR

- Elektroniska styrordningar
 - Hydrauliska pumpar, ventiler och ställning
 - Väderbeständiga försiljningar
 - Produkter som används i "Grand Prix-tävlingar"
- C ANSVAR**
- Lewmar skall inte ansvara för:
- Någon indirekt förlust inklusive (utan begränsning) förväntade vinsten, förväntad nytta, eller goodwill, förlust av framtida affärer, skador kostnader eller utgifter till tredje part eller någon annan indirekt skada.
 - Någon skada på farkost eller utrustning.
 - Dödsfall eller personlig skada (förutom att ej sjemankas av Lewmars församling).
- Det finns inga garantier i syfte på säljbarhet av något slag, uttryckligen eller ändtyd, och inga garantier skall göras gällande enligt lag. Varaktigheten av sådana garantier som inte desto mindre görs gällande enligt lag till förmån för konsumenten skall begränsas till en period av ett år från och med nyinköp av användaren. I vissa länder medges inte begränsningar på här länge en ändtyd gäller varor, varför övervälsande kanske inte gäller för Er.
- D DELNINGSS KLÄUSUL**
- Om någon bestämmelse i denna garanti för tilläggssaker påseglbar, utslutning eller annan ogynnsam eller personor till följd av denna garanti eller av andra bestämmelser i denna garanti, skall denna bestämmelse inte utslutning eller begränsning av överbudsåtskador eller följdsaker, varför övervälsande utslutning kanske inte gäller för Er.
- E** Denna garanti ger Er bestämda legala rättigheter och Ni kan även ha andra legala rättigheter som kan avvika från land till land. Lewmar Marine Ltd, förbehåller sig retten att ändra konstruktion och specifikation utan förvarning.

CONDICIONES GENERALES DE VENTA

Todas las ventas están sujetas a las condiciones generales de venta de Lewmar, disponibles en la oficina principal de Lewmar Marine Ltd en Havant (UK). La garantía procedente y las siguientes condiciones generales de venta son parte integrante de las condiciones generales de venta de Lewmar.

Precios

Todos los precios quedan sujetos a cambio sin previo aviso debido a la fluctuación de los costes de los materiales y la mano de obra. Los precios se refieren por los materiales en nuestro almacén y serán los vigentes en la fecha del despacho y no incluyen el IVA que se cargará según sea apropiado.

Presupuestos

Los presupuestos precisos se refieren por los materiales en nuestro almacén y serán los vigentes en la fecha del despacho y no incluyen el IVA que se cargará según sea apropiado.

Devolución de mercancías

LES MARCHANDISES DEVUÉLTAS NO SERÁN ACEPTADAS NI ABOBADAS A NO SER QUE LA DEVOLUCIÓN ESTE AUTORIZADA POR ESCRITO POR LEWMAR.

Si se devuelve un artículo sin autorización. Todos los gastos de transporte de las mercancías devueltas tienen que ser a portes pagados.

Todos las mercancías cuyo devolución sea aceptada y que, consiguientemente sean devueltas a nuestros stocks quedan sujetas a un cargo del 15% por gastos de reposición en stock. Los artículos que se devuelvan deteriorados no serán abonados por la totalidad de su valor.

Los artículos o piezas fabricados por encargo o según especificaciones del cliente no serán devueltos a menos que el cliente no devuelva el artículo en un estado de conservación satisfactorio.

Catálogos

Pueden obtenerse folletos de los productos dirigiéndose a Lewmar. Nuestros productos se pueden obtener a través de astilleros y rivendedores locales. Tendremos mucho gusto en informarle de su proveedor Lewmar más cercano.

S LEWMARS BEGRÄNSADE GARANTI

Lewmar garanterar att företagets produkter i normalt bruk är fria från defekter med avseende på material och utförande under en period av tre år från och med datum för inköp av den ursprungliga koparen med förbehåll för de villkor, begränsningar och undantag enligt nedanstående förteckning. Någon del som visar sig vara defekt i normalt bruk under denna respektperiod kommer inte repareras eller bytas ut av Lewmar.

A VILKOR O BEGRÄNSNINGAR

- i Lewmars ansvarskyldighet skal begränsas till reparation eller utbyte av de artiklar eller delar som är bristfälliga med avseende på material eller utförande.
- ii Allt fastställt materialer lämplighet för den av koparen avsedda användningen är utestående koparans ansvar och Lewmar skall inte ha någon ansvarskyldighet med anknytning till sådana lämplighet.
- iii Lewmar skall inte på något sätt vara ansvarig för:
 - a Bristfälligheter, fortlust eller skada till följd av produktens användning inom området, som de inte är avsedda för.
 - b Bristfälligheter, fortlust eller skada till följd av korrosion, ultraviolett nedbrytning, försilning eller felaktig installation.
 - c Bristfälligheter, fortlust eller skada till följd av felaktigt underhåll.
 - d Bristfälligheter, fortlust eller skada till följd av förhållanden som överskrider produktens prestanda-specifikation.
- iv Produkt som är föremål för anspråk enligt garanti måste returneras till Lewmar för undersökning såvida ej annat förutningsgått skriftligen av Lewmar.
- v Lewmar skall inte vara ansvarig för spediseringavgifter eller återkostnader för installation i samband med något anspråk enligt garanti.
- vi Underhållsarbete av någon annan person eller firma än en Lewmars auktoriserade representanter gör denna garanti ogiltig om detta arbete inte överensstämmer med Lewmars riktlinjer och normer för utförande.
- vii Lewmars produkter är avsedda för endast marint bruk. Kunden vill ha för avsikt att använda produkterna till annat ändamål, måste söka råd från Lewmar och Lewmar kan aldrig belästas för användning som Lewmar inte har godkänt.

B UNDANTAG

- Garanti begränsas till en period av ett år från inköpsdatum, för följande produkter:
- Bogpropellrar
 - Elmotorer och elektrisk utrustning

- Elektroniska styrordningar
- Hydrauliska pumpar, ventiler och ställning
- Väderbeständiga försiljningar
- Produkter som används i "Grand Prix-tävlingar"

C ANSVAR

- Lewmar skall inte ansvara för:
- Någon indirekt förlust inklusive (utan begränsning) förväntade vinsten, förväntad nytta, eller goodwill, förlust av framtida affärer, skador kostnader eller utgifter till tredje part eller någon annan indirekt skada.
 - Någon skada på farkost eller utrustning.
 - Dödsfall eller personlig skada (förutom att ej sjemankas av Lewmars församling).
- Det finns inga garantier i syfte på säljbarhet av något slag, uttryckligen eller ändtyd, och inga garantier skall göras gällande enligt lag. Varaktigheten av sådana garantier som inte desto mindre görs gällande enligt lag till förmån för konsumenten skall begränsas till en period av ett år från och med nyinköp av användaren. I vissa länder medges inte begränsningar på här länge en ändtyd gäller varor, varför övervälsande kanske inte gäller för Er.
- D DELNINGSS KLÄUSUL**
- Om någon bestämmelse i denna garanti för tilläggssaker påseglbar, utslutning eller annan ogynnsam eller personor till följd av denna garanti eller av andra bestämmelser i denna garanti, skall denna bestämmelse inte utslutning eller begränsning av överbudsåtskador eller följdsaker, varför övervälsande utslutning kanske inte gäller för Er.
- E** Denna garanti ger Er bestämda legala rättigheter och Ni kan även ha andra legala rättigheter som kan avvika från land till land. Lewmar Marine Ltd, förbehåller sig retten att ändra konstruktion och specifikation utan förvarning.

CONDICIONES GENERALES DE VENTA

Todas las ventas están sujetas a las condiciones generales de venta de Lewmar, disponibles en la oficina principal de Lewmar Marine Ltd en Havant (UK). La garantía procedente y las siguientes condiciones generales de venta son parte integrante de las condiciones generales de venta de Lewmar.

Precios

Todos los precios quedan sujetos a cambio sin previo aviso debido a la fluctuación de los costes de los materiales y la mano de obra. Los precios se refieren por los materiales en nuestro almacén y serán los vigentes en la fecha del despacho y no incluyen el IVA que se cargará según sea apropiado.

Presupuestos

Los presupuestos precisos se refieren por los materiales en nuestro almacén y serán los vigentes en la fecha del despacho y no incluyen el IVA que se cargará según sea apropiado.

Devolución de mercancías

LES MARCHANDISES DEVUÉLTAS NO SERÁN ACEPTADAS NI ABOBADAS A NO SER QUE LA DEVOLUCIÓN ESTE AUTORIZADA POR ESCRITO POR LEWMAR.

Si se devuelve un artículo sin autorización. Todos los gastos de transporte de las mercancías devueltas tienen que ser a portes pagados.

Todos las mercancías cuyo devolución sea

SALES OFFICES

Lewmar UK

Lewmar Ltd., Southmoor Lane, Havant, Hampshire, PO9 1JJ, UK
tel +44 (0)23 9247 1841 **fax** +44 (0)23 9248 5720
e-mail info@uk.lewmar.com

Lewmar Inc

Lewmar Inc, 351 New Whitfield Street, Guilford, CT 06437, USA
tel +1 203 458 6200 **fax** +1 203 453 5669
e-mail info@usa.lewmar.com

Lewmar Mid Europe (Netherlands)

Lewmar Ltd., Popovstraat 12, 8013 RK Zwolle, The Netherlands
tel +31 (0) 38 427 34 90 **fax** +31 (0) 38 421 56 42
e-mail info@holland.lewmar.com

Lewmar Southern Europe (France)

Lewmar Ltd., Place Bernard Moitessier, 17000 La Rochelle, France
tel +33 (0) 5 46 50 50 46 **fax** +33 (0) 5 46 50 59 04
e-mail info@france.lewmar.com

Lewmar Southern Europe (Spain)

Lewmar Ltd., Sucursal en Espana, Joan de Borbó 92,
08039 Barcelona, Spain
tel +34 (0) 93 221 94 37 **fax** +34 (0) 93 225 19 49
e-mail info@spain.lewmar.com

Lewmar Sothern Europe (Italy)

Lewmar Ltd., Place Bernard Moitessier, 17000 La Rochelle, France
tel/fax +39 (0) 5 43 84 691
e-mail info@italy.lewmar.com

Lewmar Northern Europe (Sweden)

Lewmar Marin AB, Hälleflundregatan 24, S-426 58,
Västra Frölunda, Sweden
tel +46 (0) 31 769 7700 **fax** +46 (0) 31 769 7710
e-mail info@sweden.lewmar.com

Lewmar Northern Europe (Finland)

Lewmar Marin AB (Finland), Laaksotie 10 A-B,
02700 Kauniainen, Finland
tel +358 (0) 9 5489 5110 **fax** +358 (0) 9 5489 5111
e-mail info@finland.lewmar.com

Lewmar Pacific Rim, Asia & Middle East

Lewmar Pty, 129 Forestdale Drive, Forestdale, QLD 4118, Australia
tel +61 7 380 00285 **fax** +61 7 380 00834
e-mail info@lewmar.com.au

LEWMAR®

HEAD OFFICE

LEWMAR LIMITED

Southmoor Lane, Havant, Hampshire, PO9 1JJ, UK
tel +44 (0) 23 92 471841 **fax** +44 (0) 23 92 485720
e-mail info@lewmar.com
website www.lewmar.com